

BF010004 ver.2



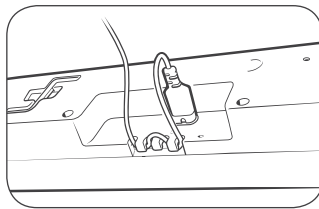
1.

2.

2.

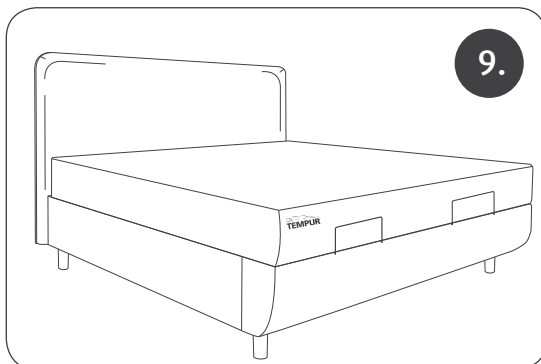
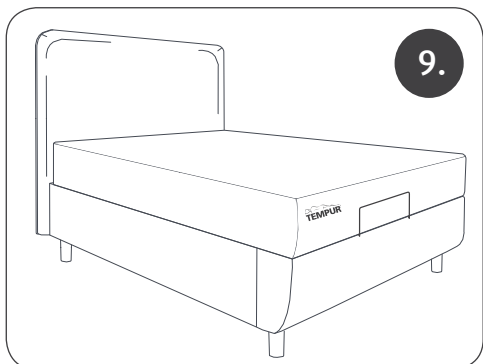
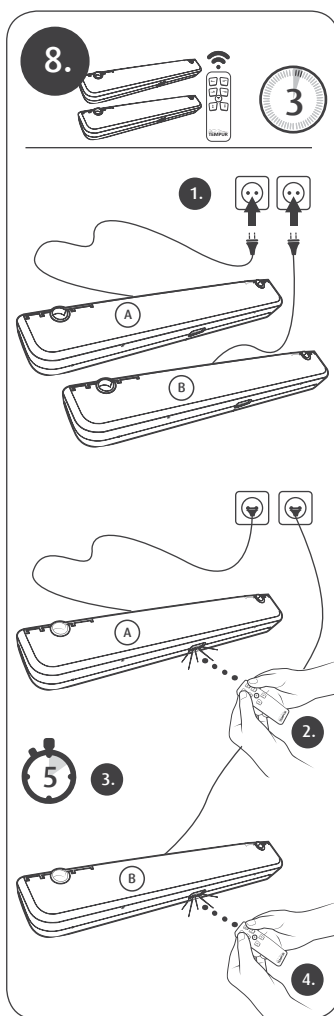
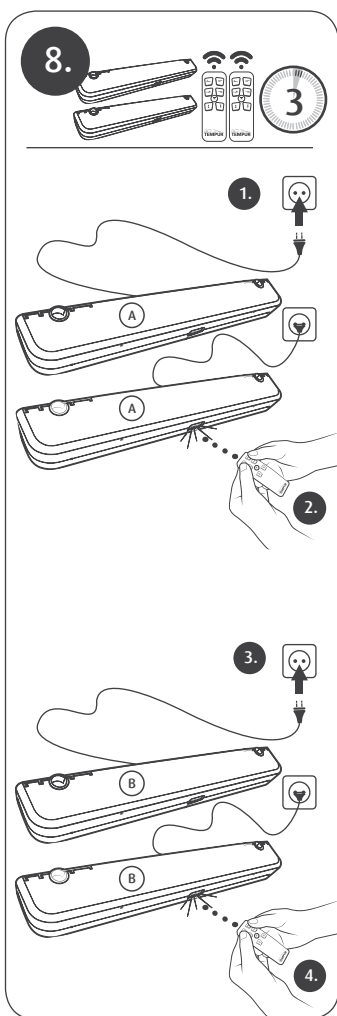
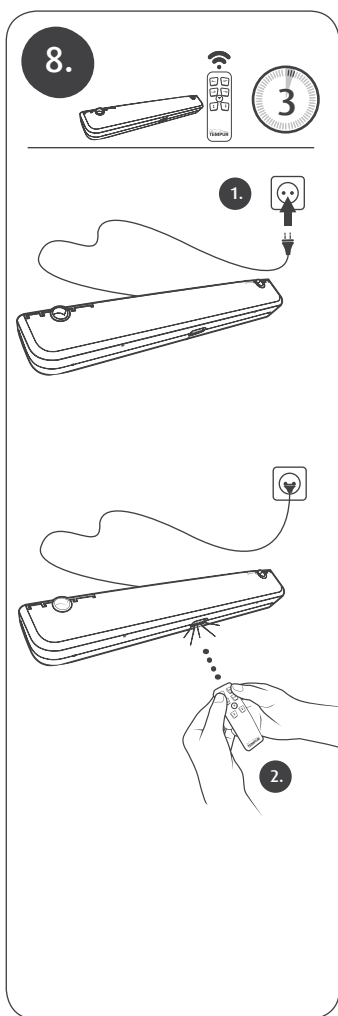
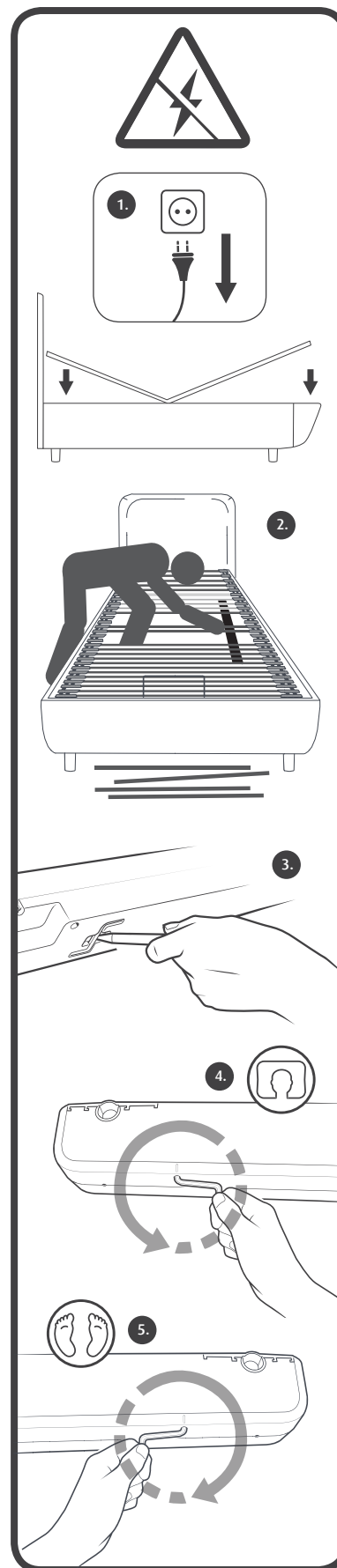
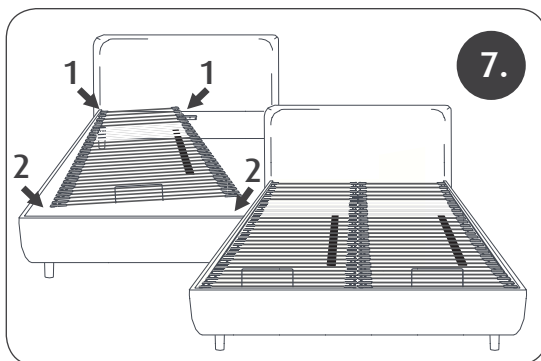
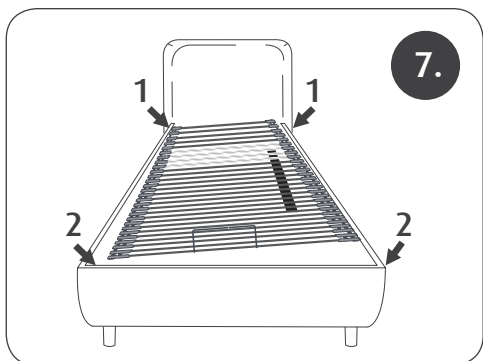
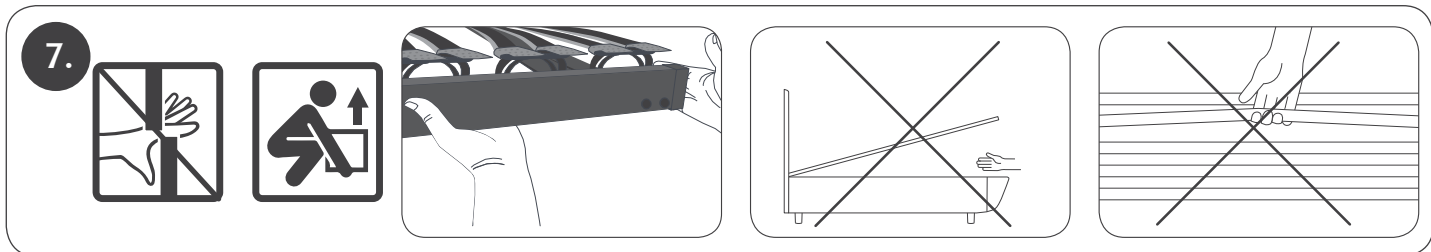
3.

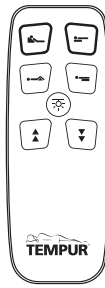
4.



5.

6.





warranty.tempur.com

BF010004 ver.2

